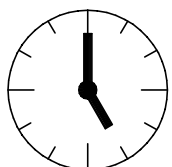
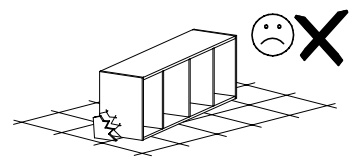
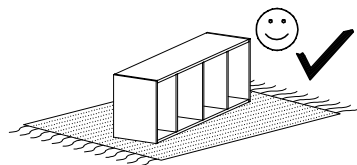
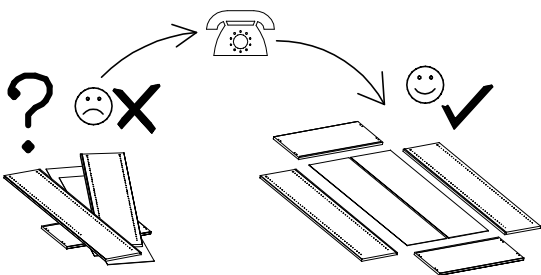
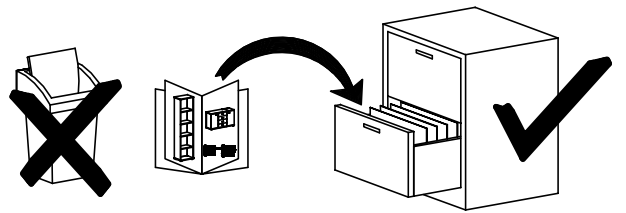
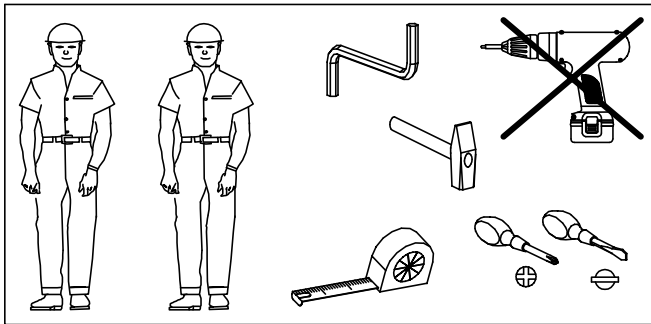
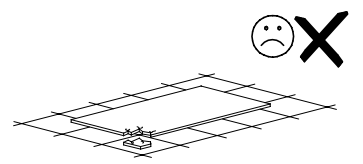
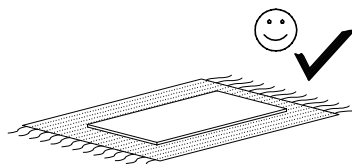


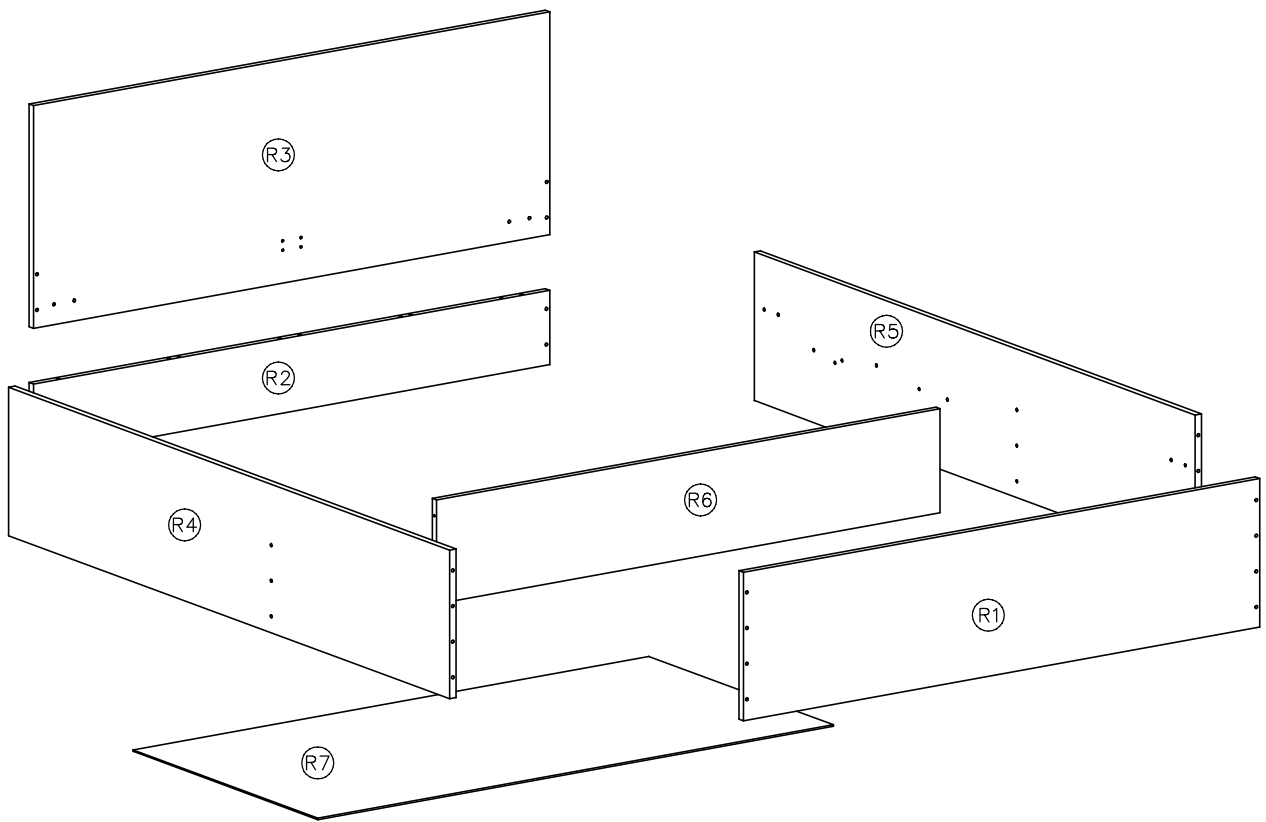
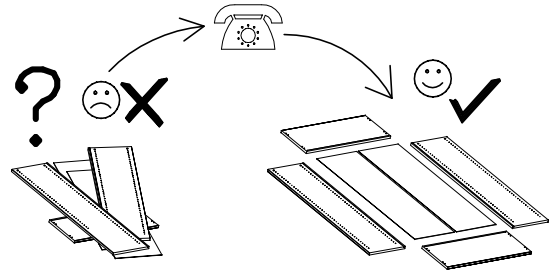
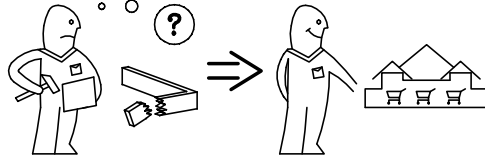
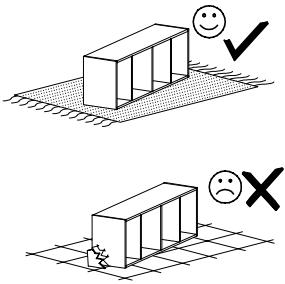
Panamax

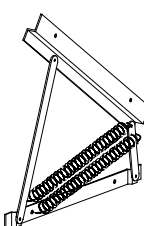
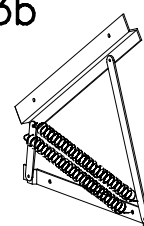
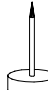

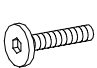

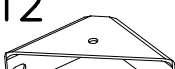
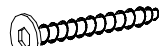

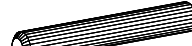


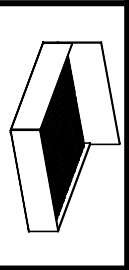
1,5h



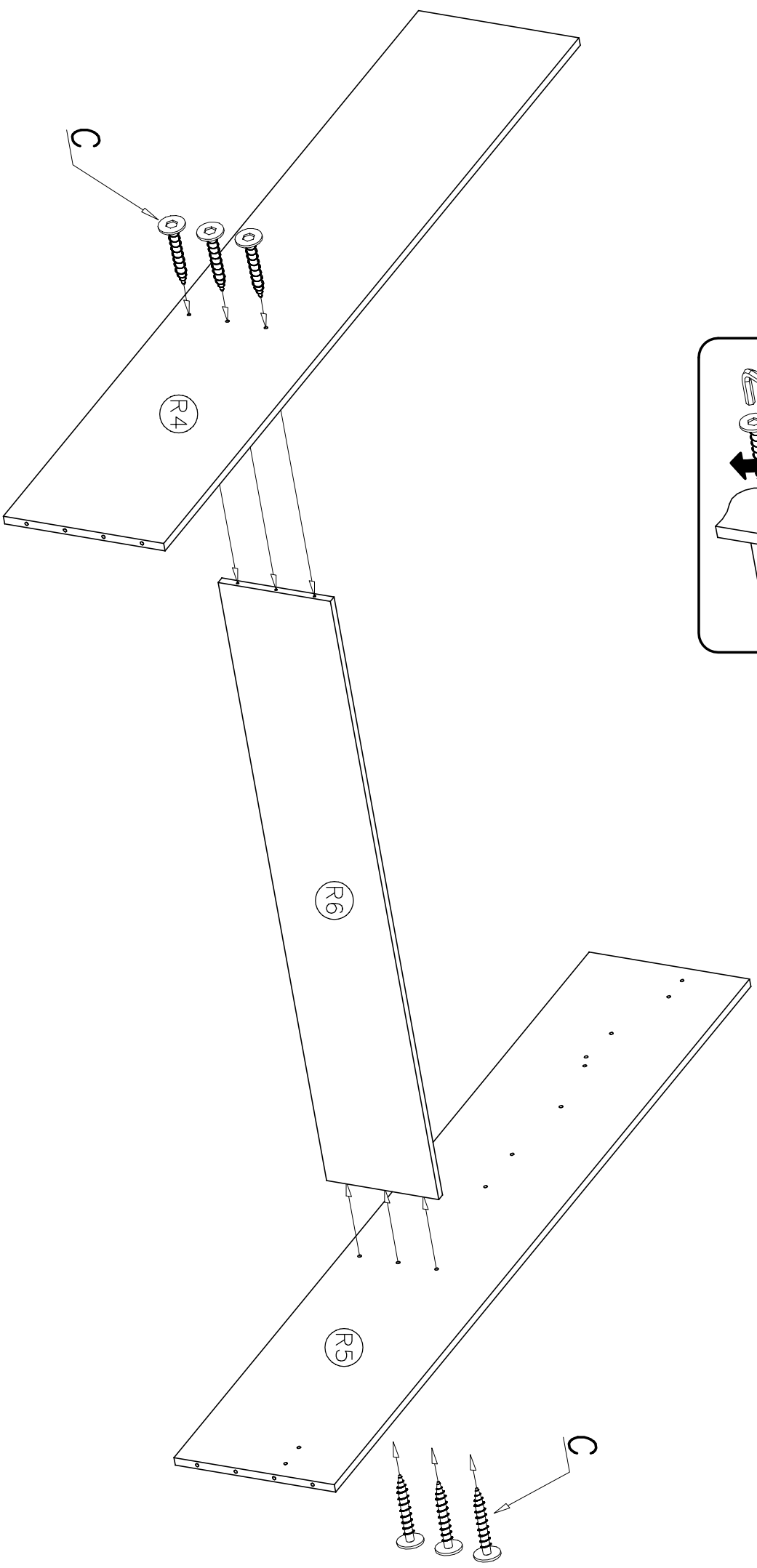
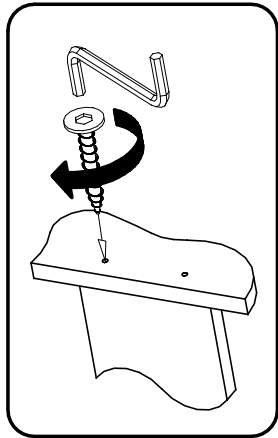
Panamax



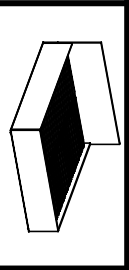
<p>L3a</p>  <p>x1</p>	<p>L3b</p>  <p>x1</p>	<p>P4</p>  <p>x4</p>	<p>D</p>  <p>9x11 x2</p>	<p>N30</p>  <p>M6x15 x20</p>
<p>I5</p>  <p>x20</p>	<p>M12</p>  <p>x4</p>	<p>C</p>  <p>6x50 x22</p>	<p>G2</p>  <p>x1</p>	<p>B3</p>  <p>ø6x50 x10</p>



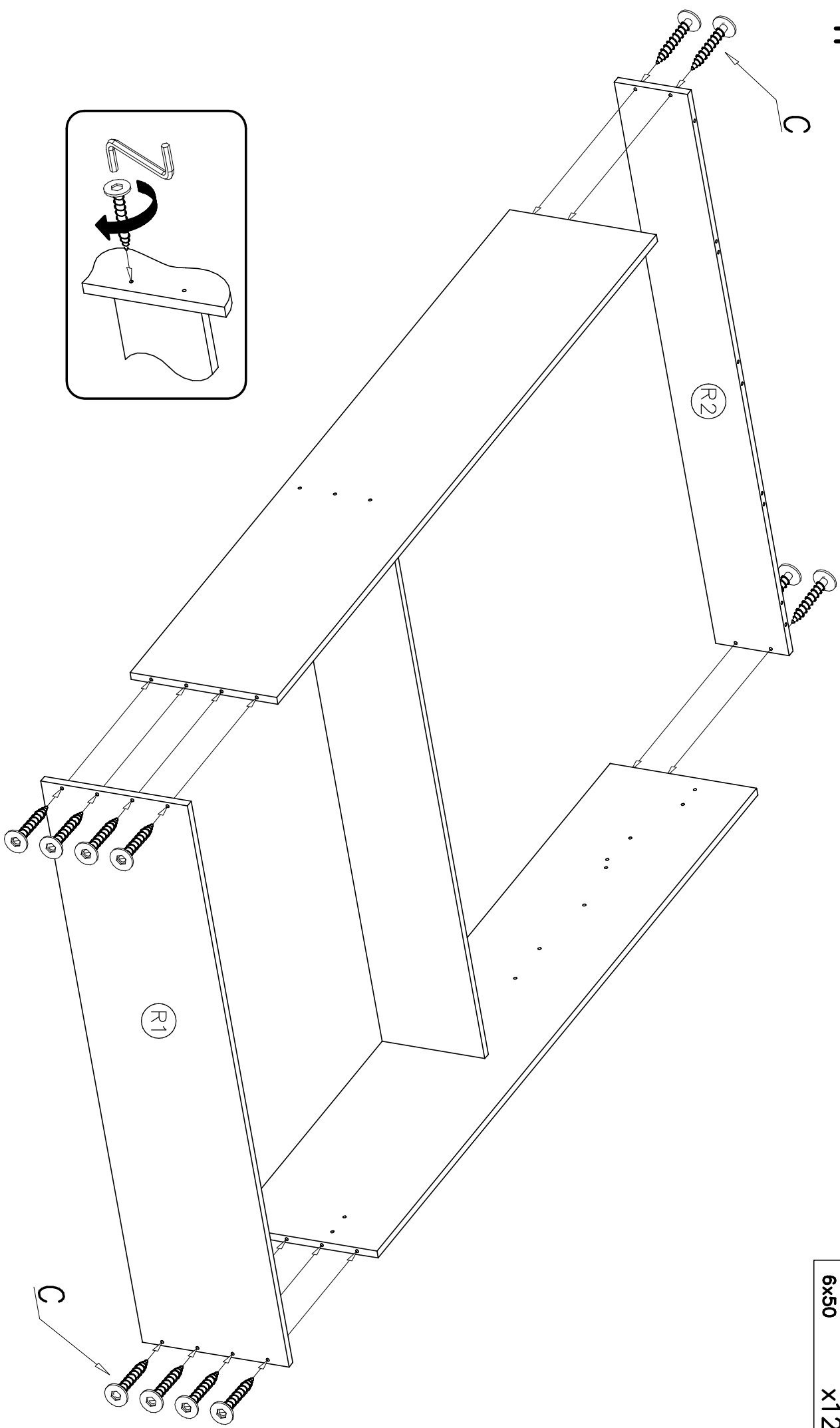
1



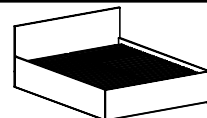
C
6x50
x6



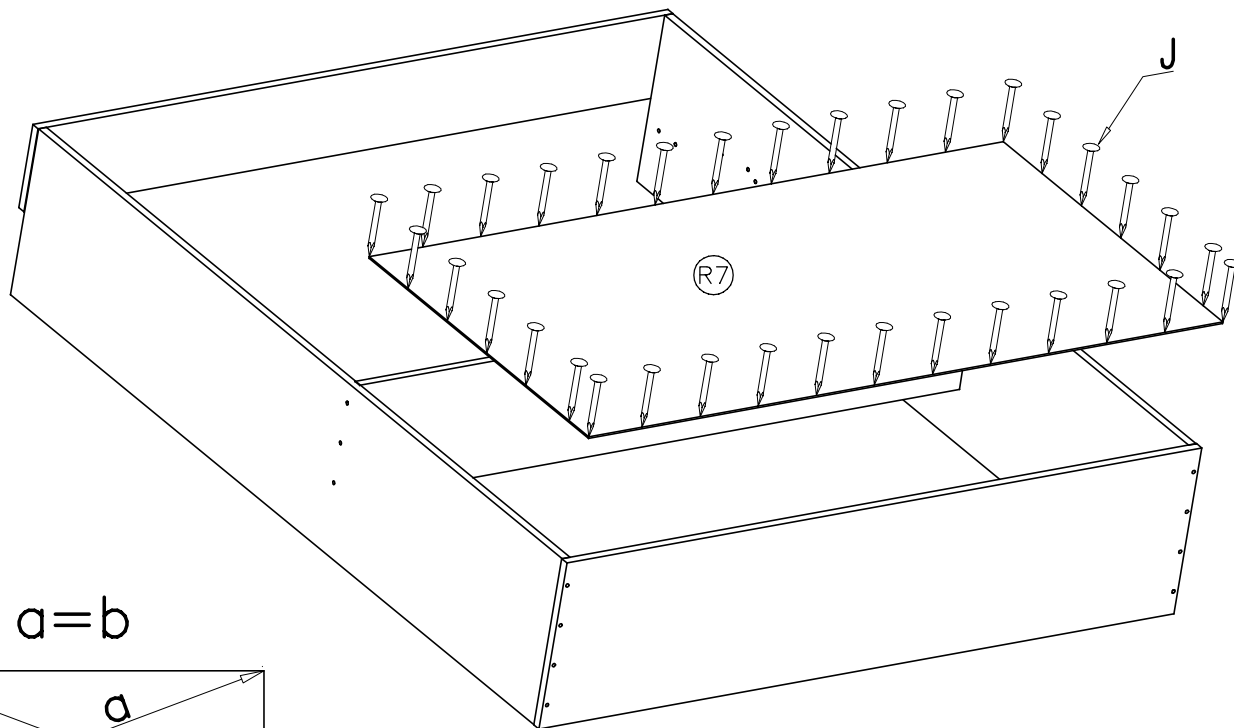
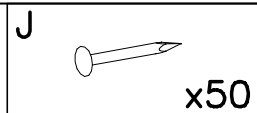
11



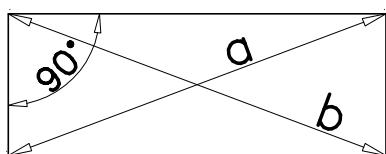
C
6x50 X12



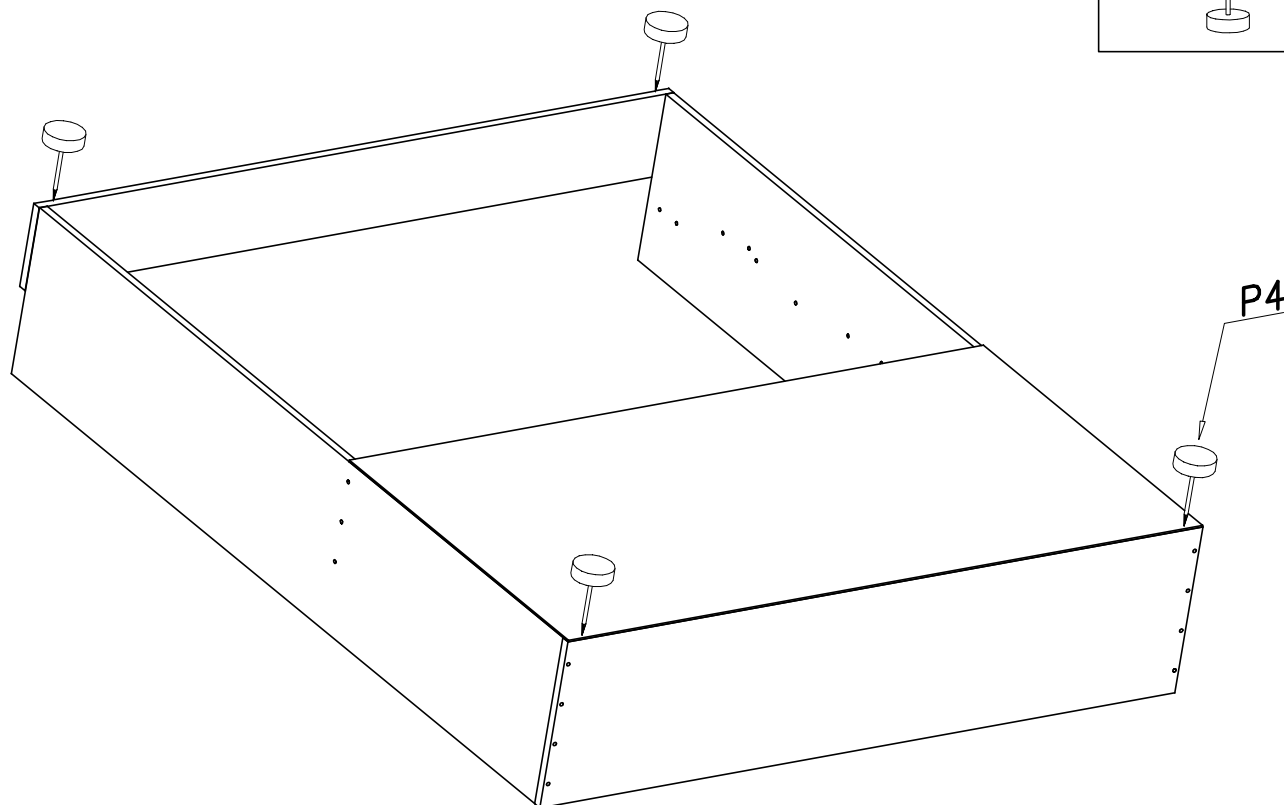
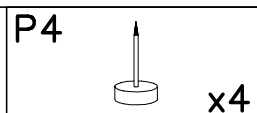
III

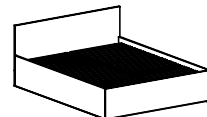


$a=b$



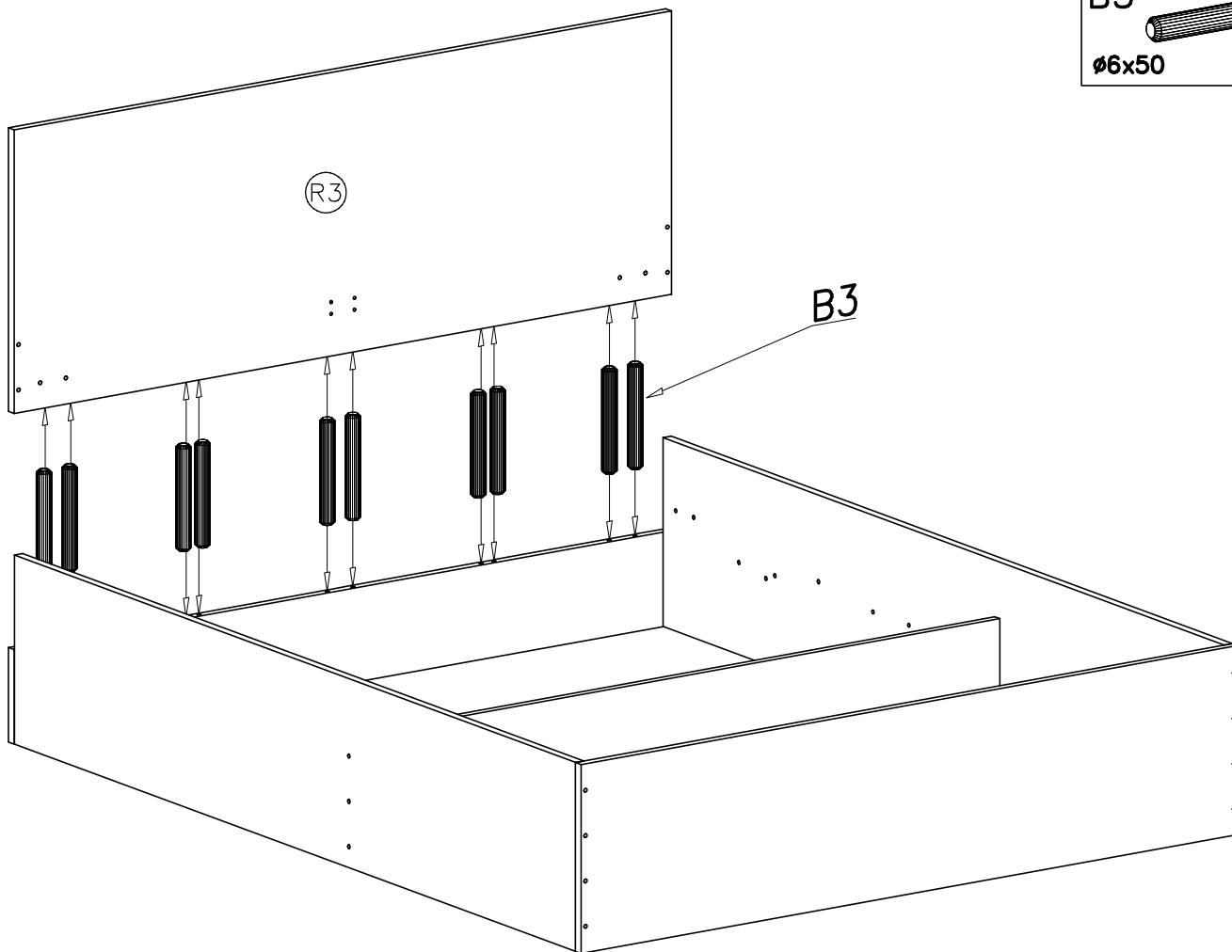
IV





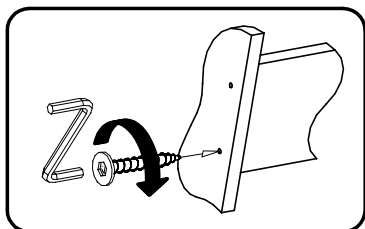
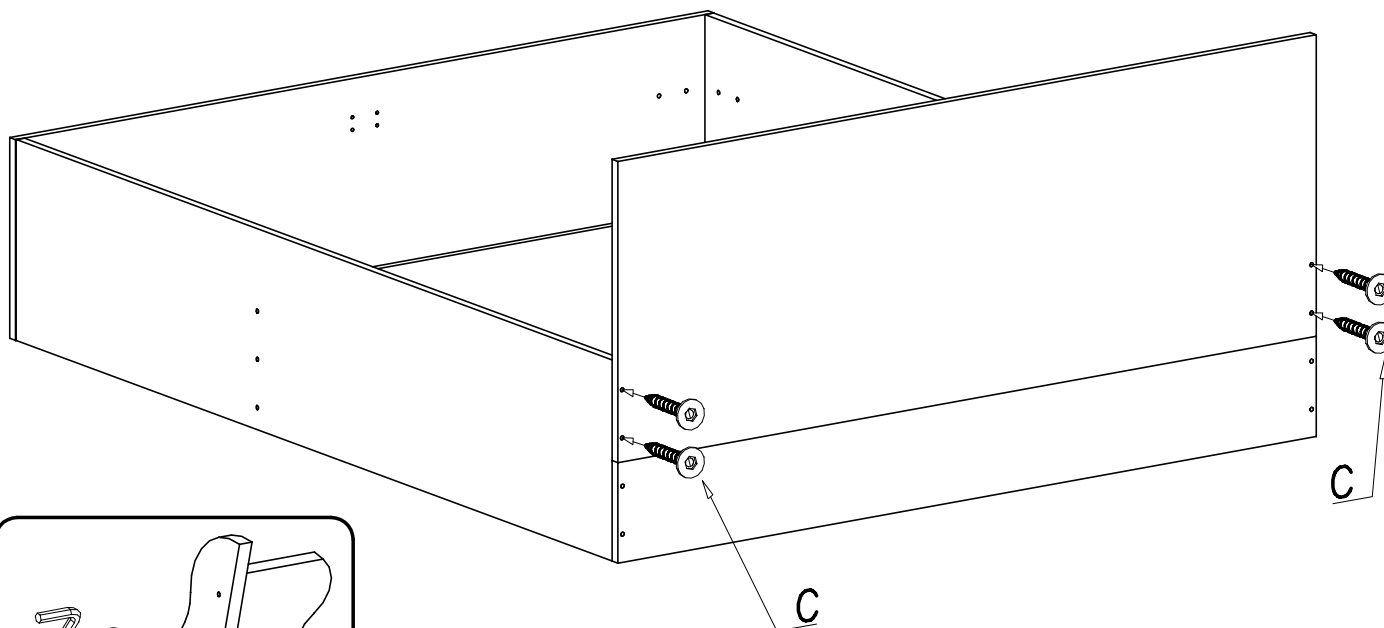
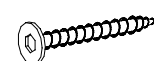
V

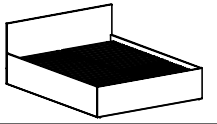
B3
ø6x50 x10






VI

C
6x50 x4

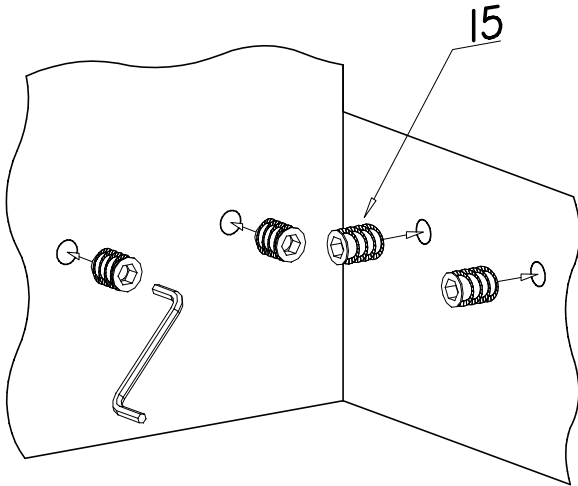




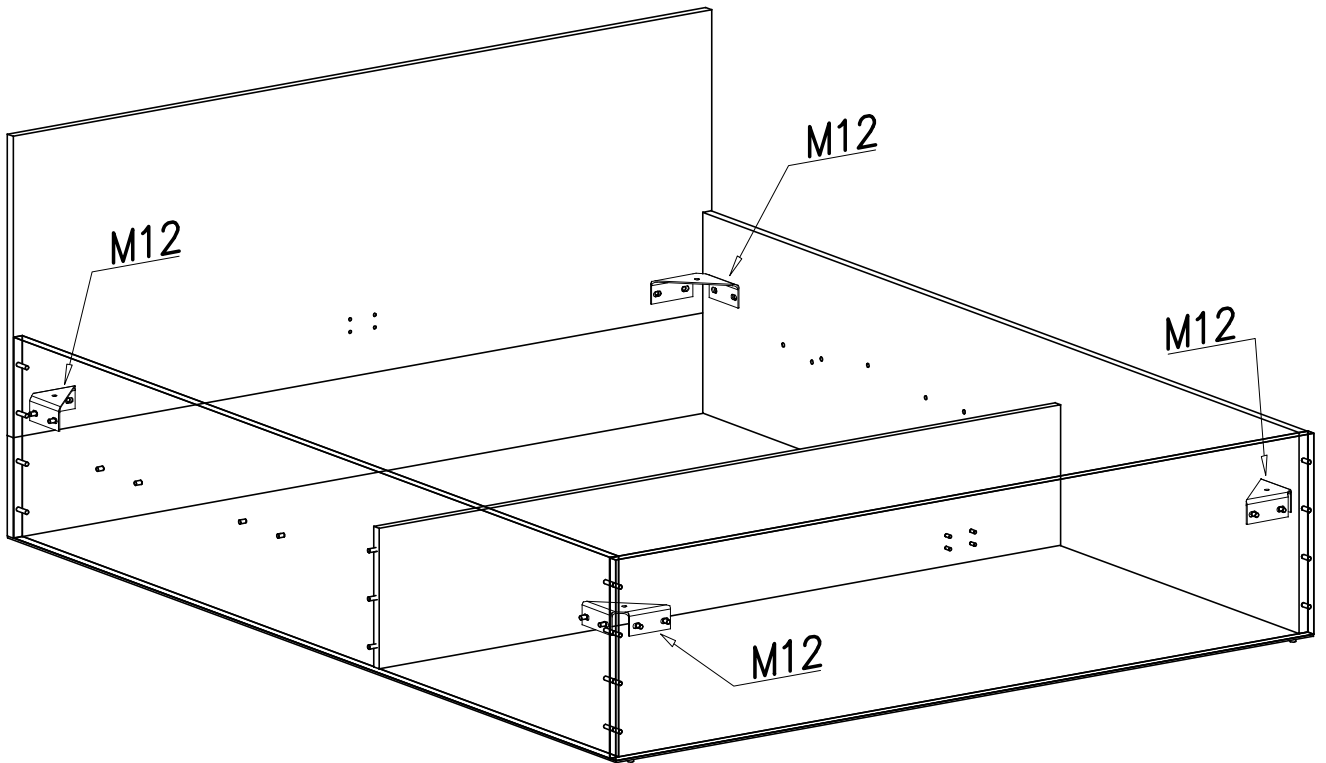
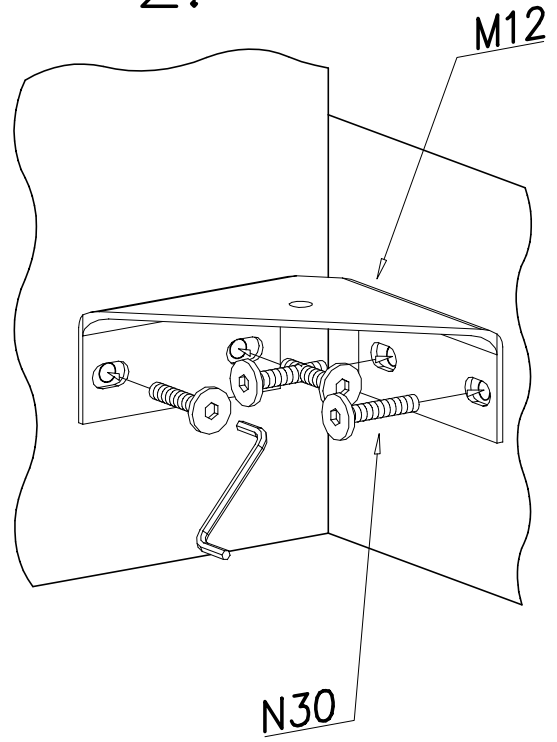
VII

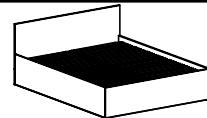
I5		x16	M12		x4	N30		M6x20	x16
----	---	-----	-----	---	----	-----	---	-------	-----

1.




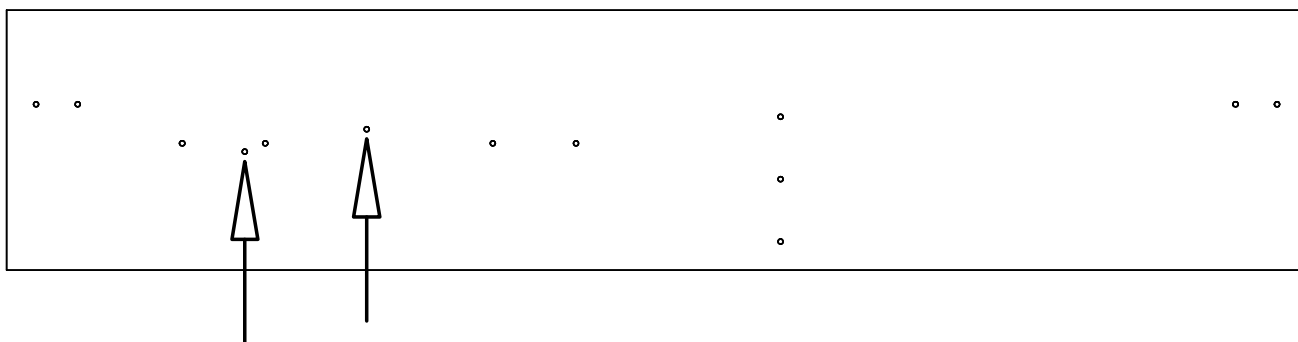
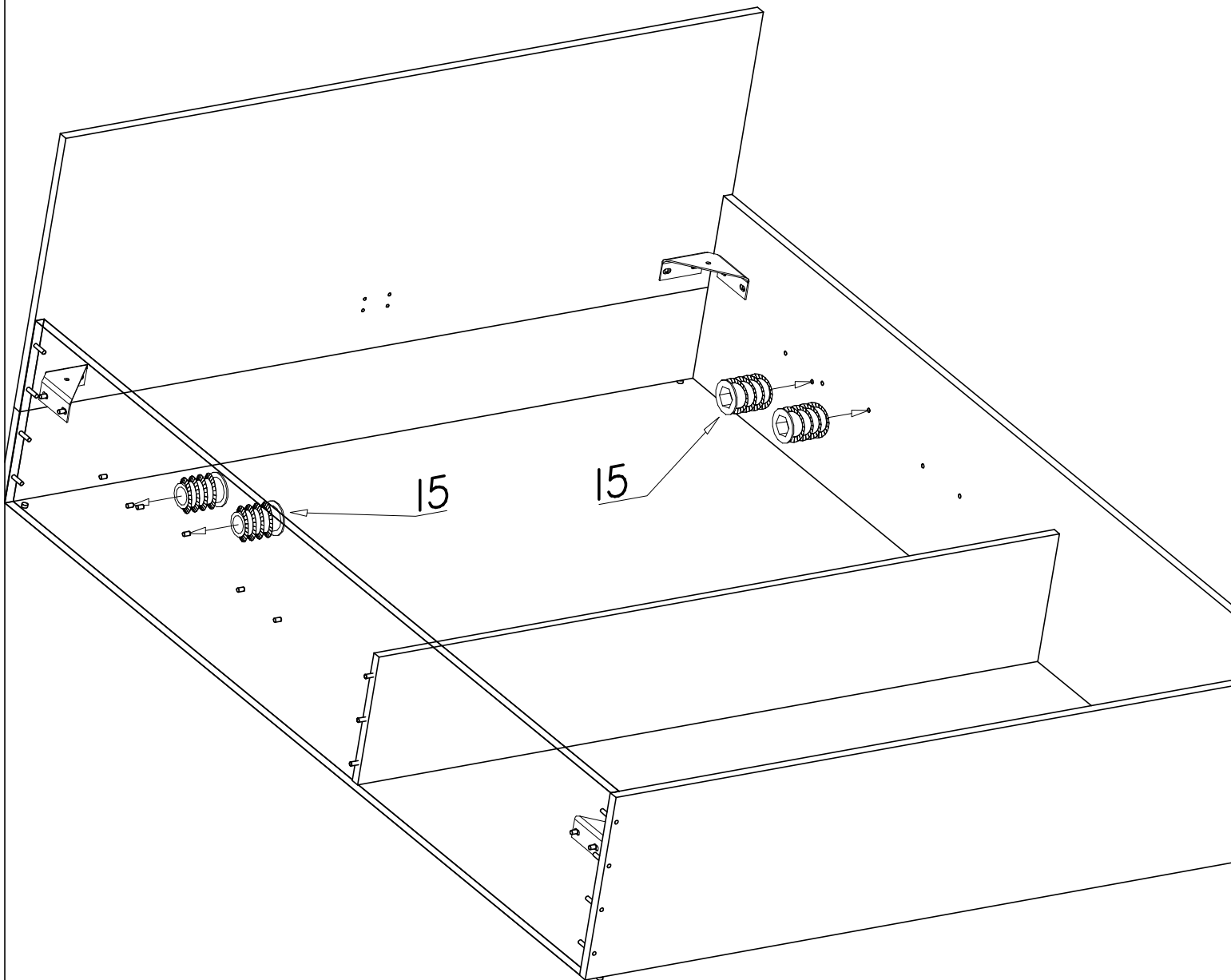
2.

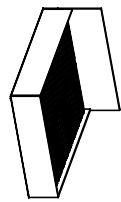




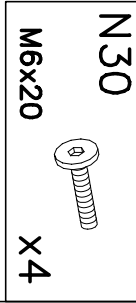
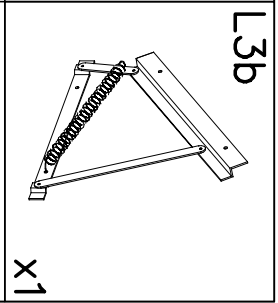
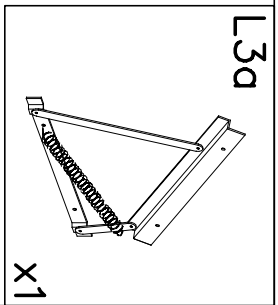
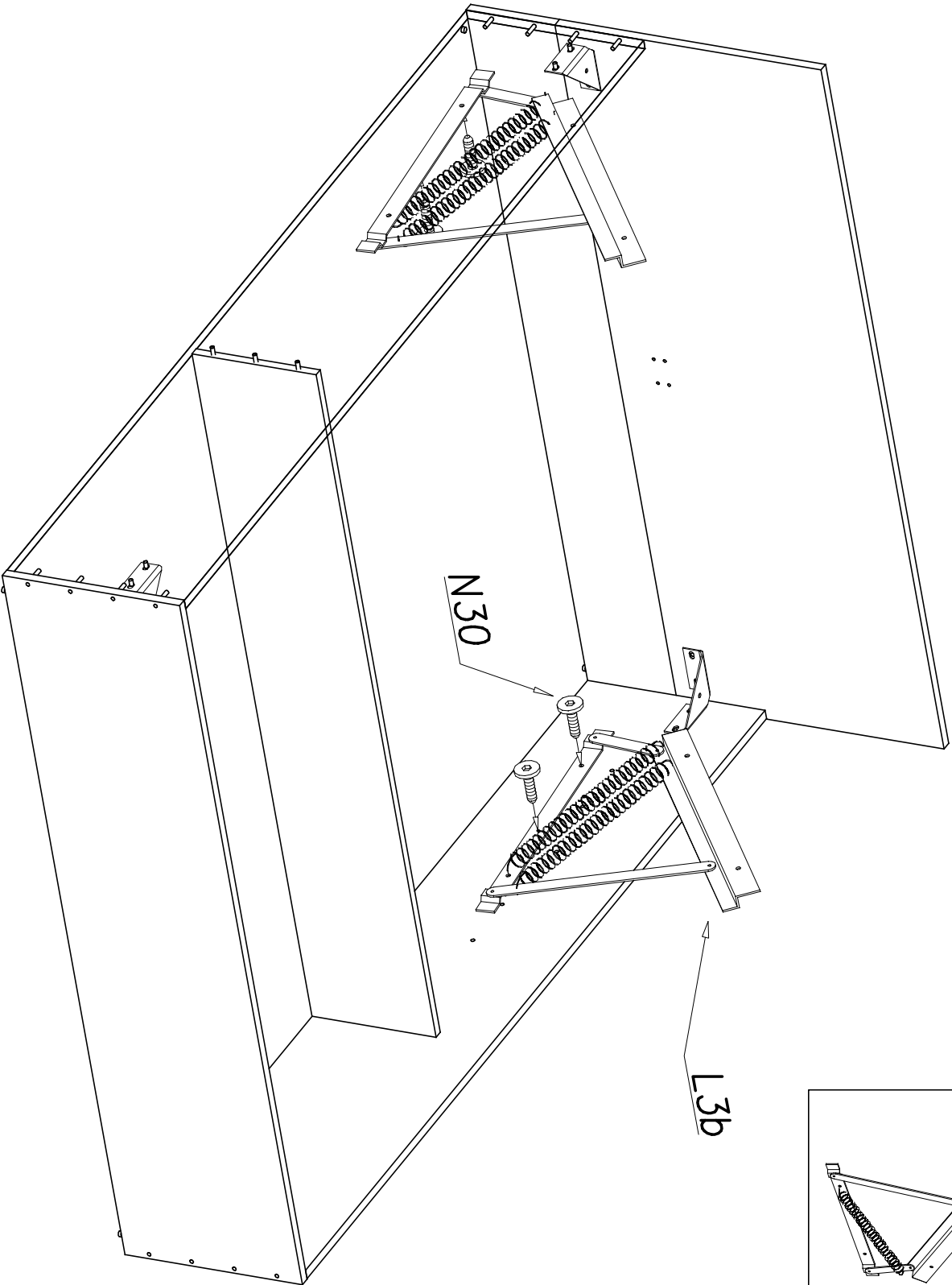
VIII

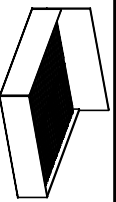
15  x4





IX





X

