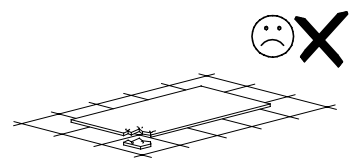
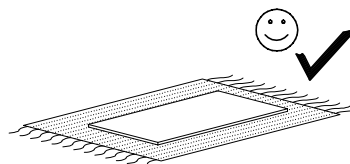
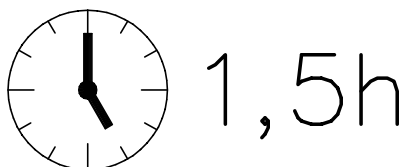
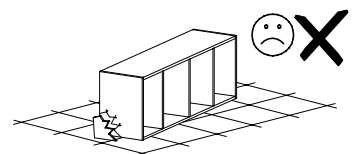
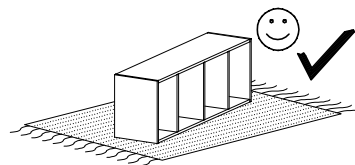
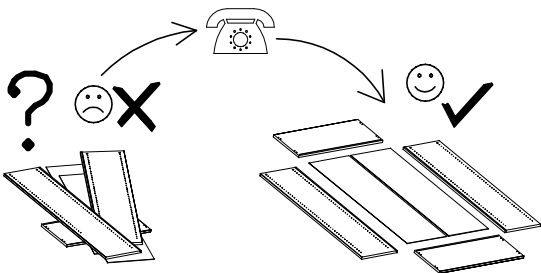
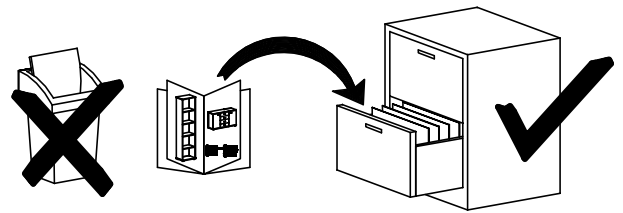
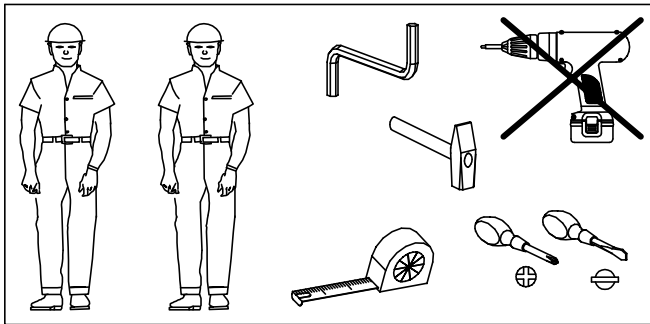
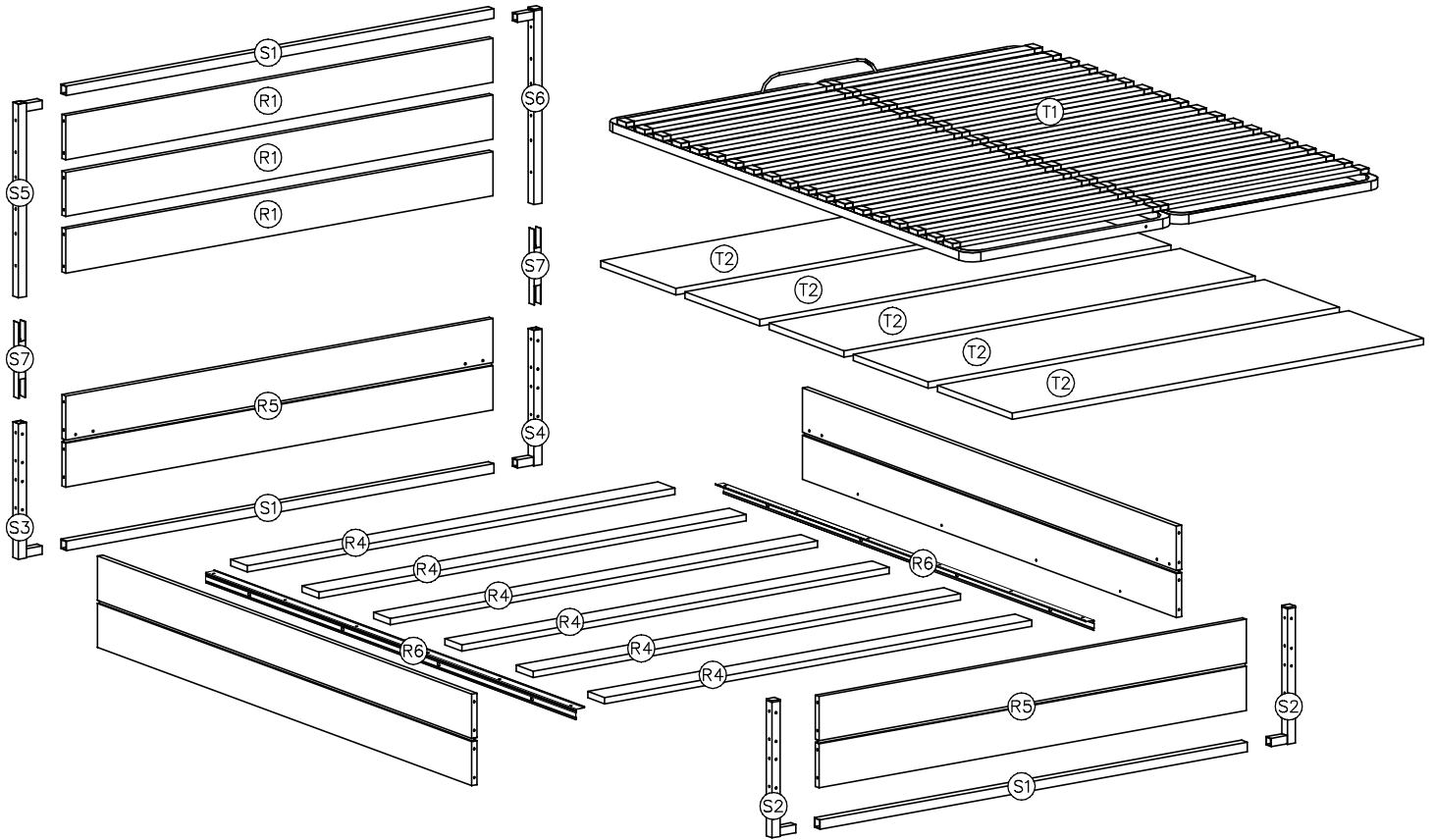
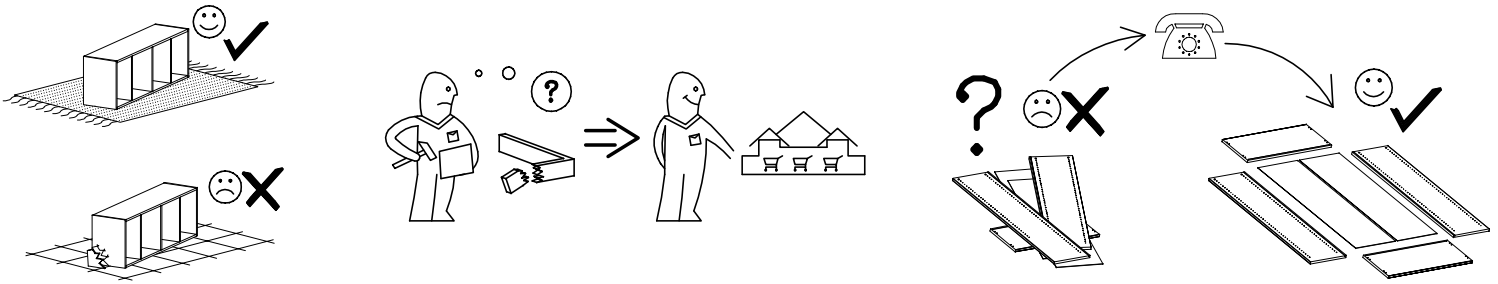
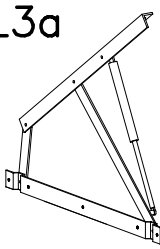
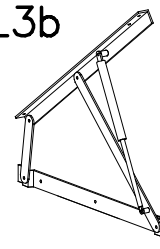
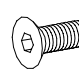
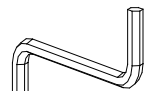
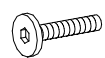

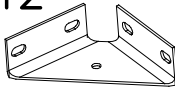
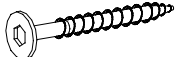
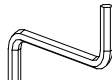



LOFT





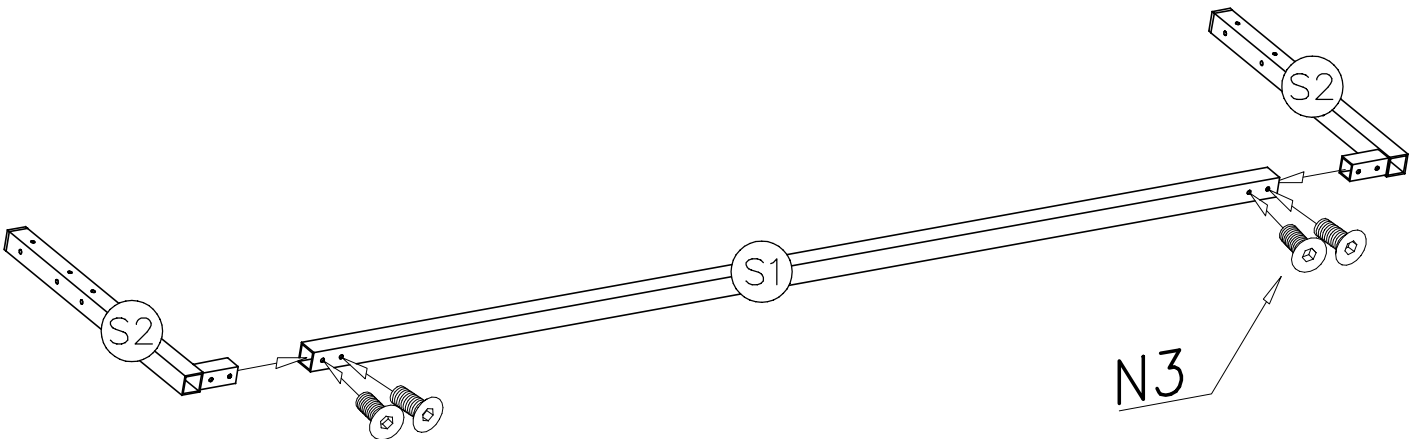
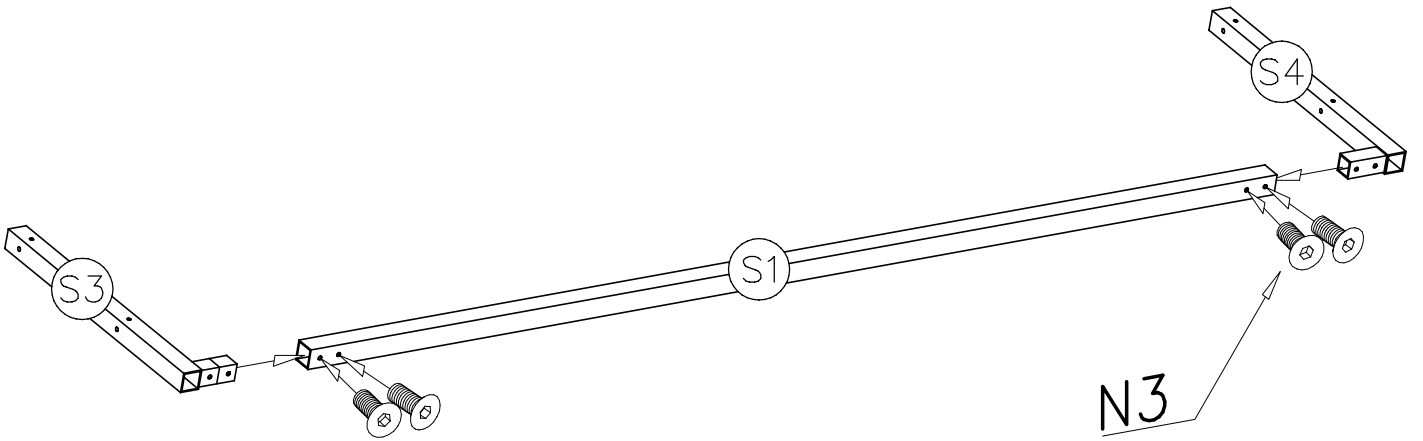
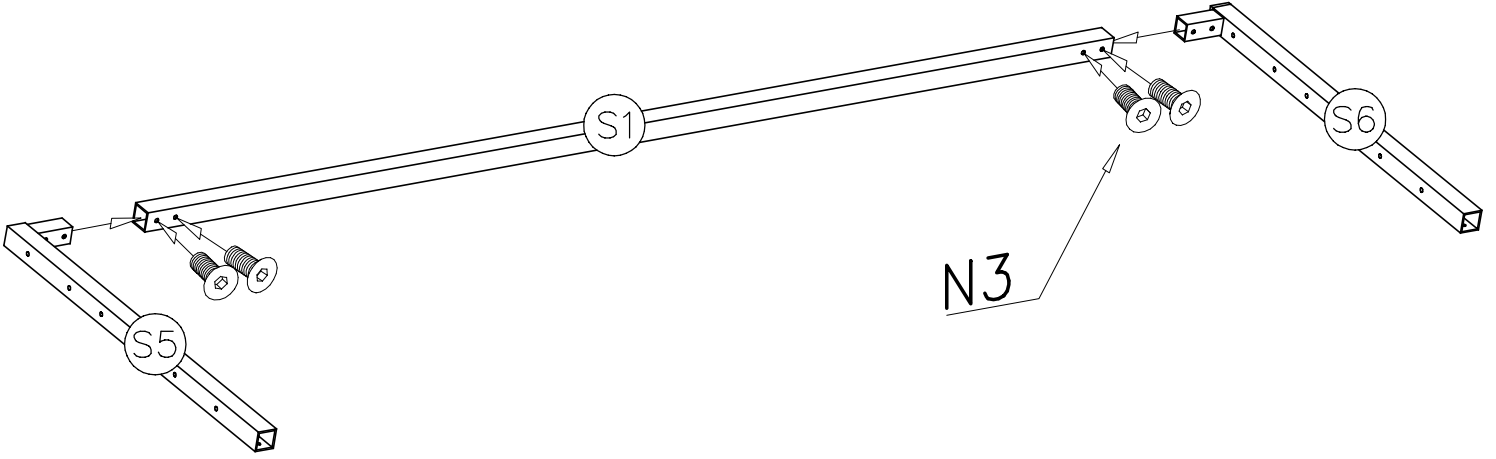
<p>L3a</p>  <p>x1</p>	<p>L3b</p>  <p>x1</p>	<p>N3</p>  <p>x20</p>	<p>G1</p>  <p>x1</p>	<p>N30</p>  <p>M6x15 x24</p>
<p>I5</p>  <p>x24</p>	<p>M12</p>  <p>x4</p>	<p>A4</p>  <p>6x60 x44</p>	<p>G2</p>  <p>x1</p>	<p>G6</p>  <p>6x13 x20</p>

I

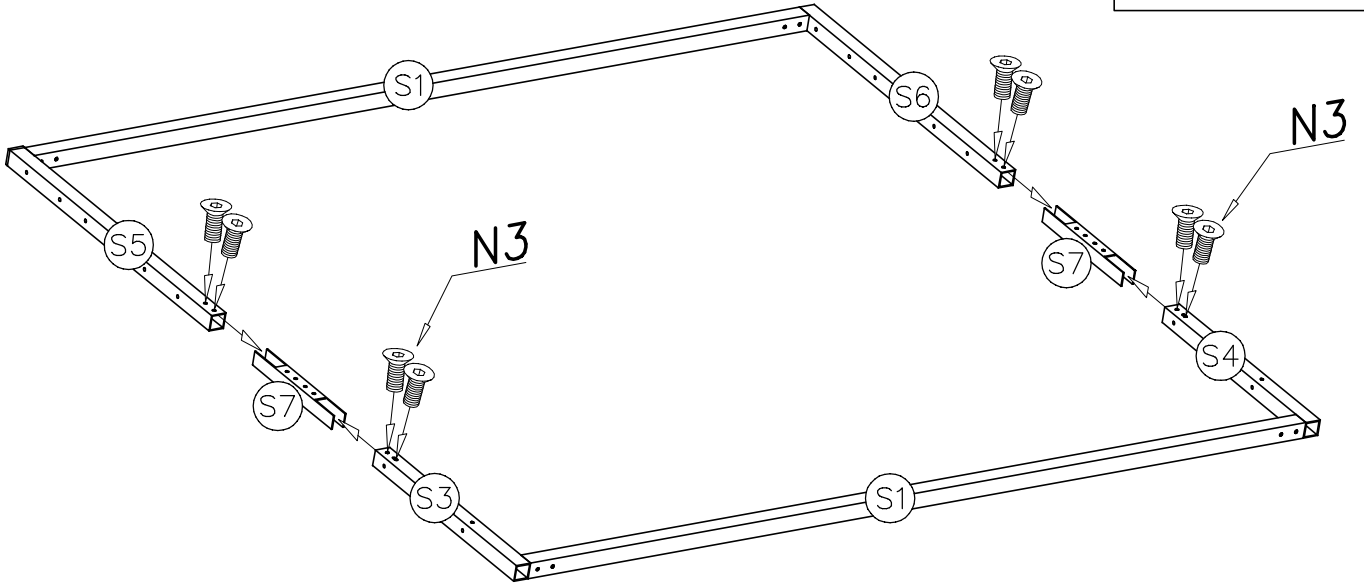
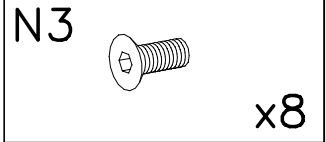
N3



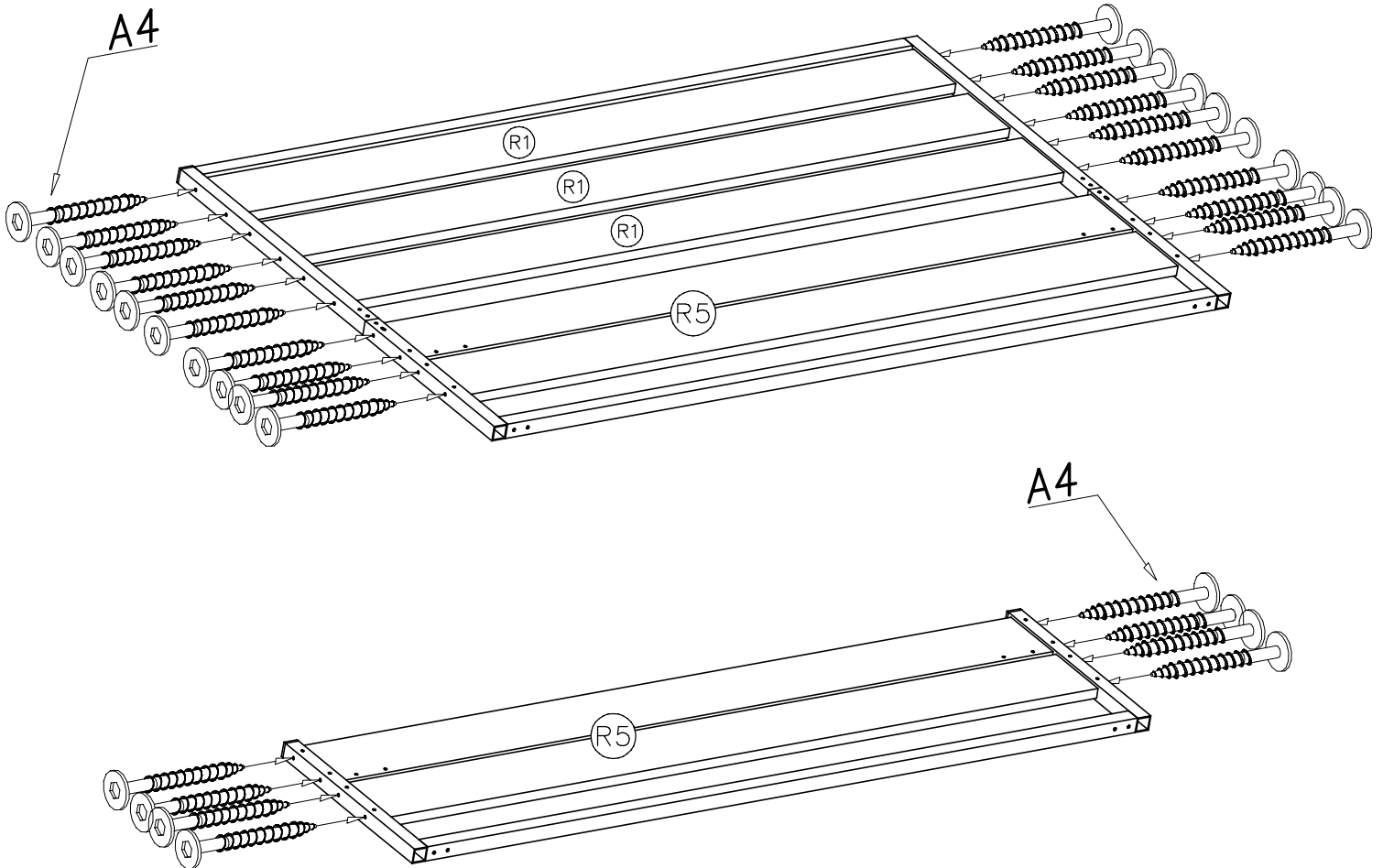
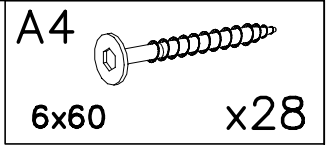
x12



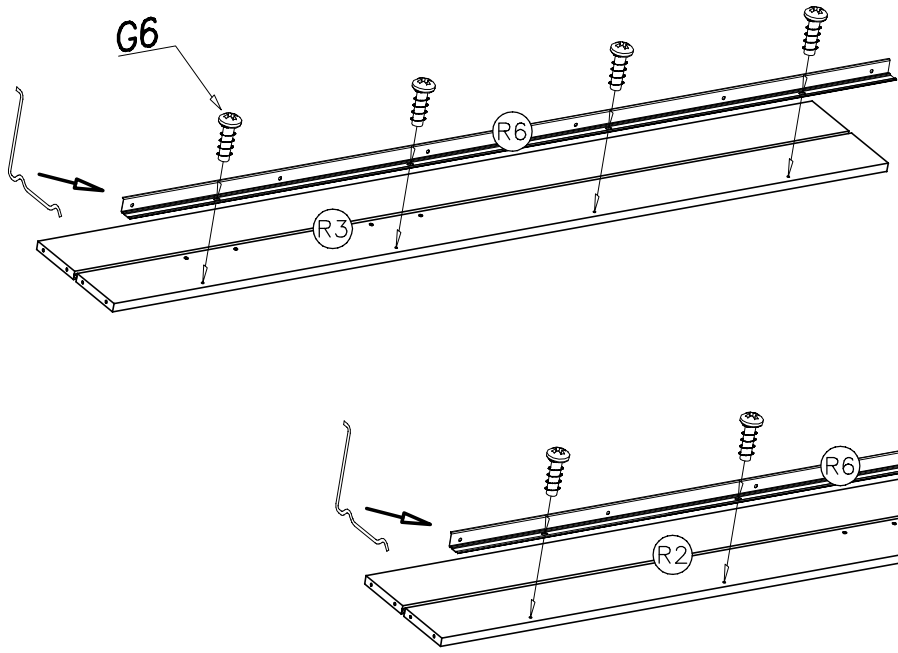
II



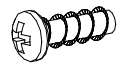
III



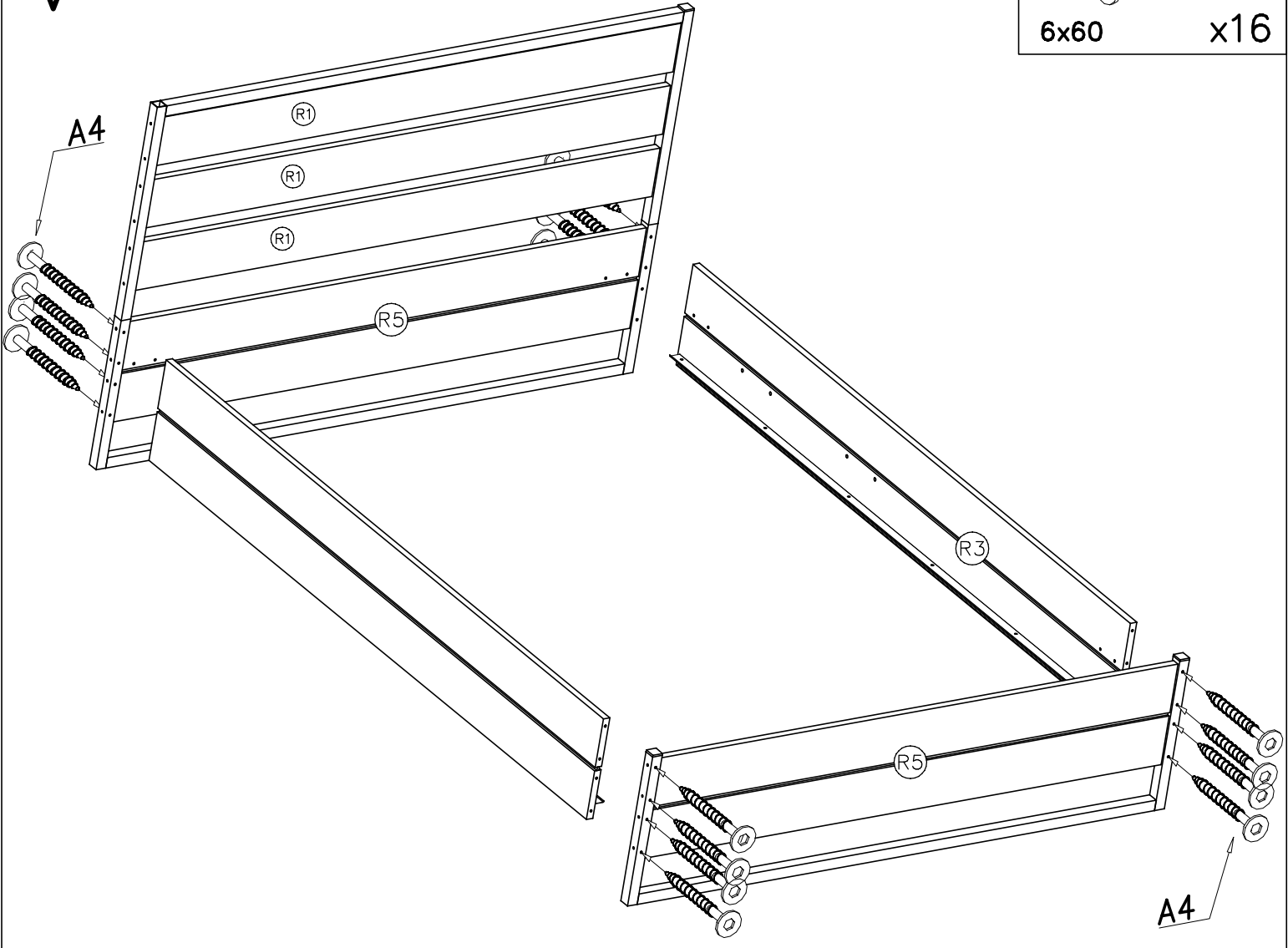
IV



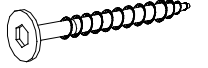
G6
6x13 x8



V

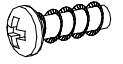


A4
6x60 x16



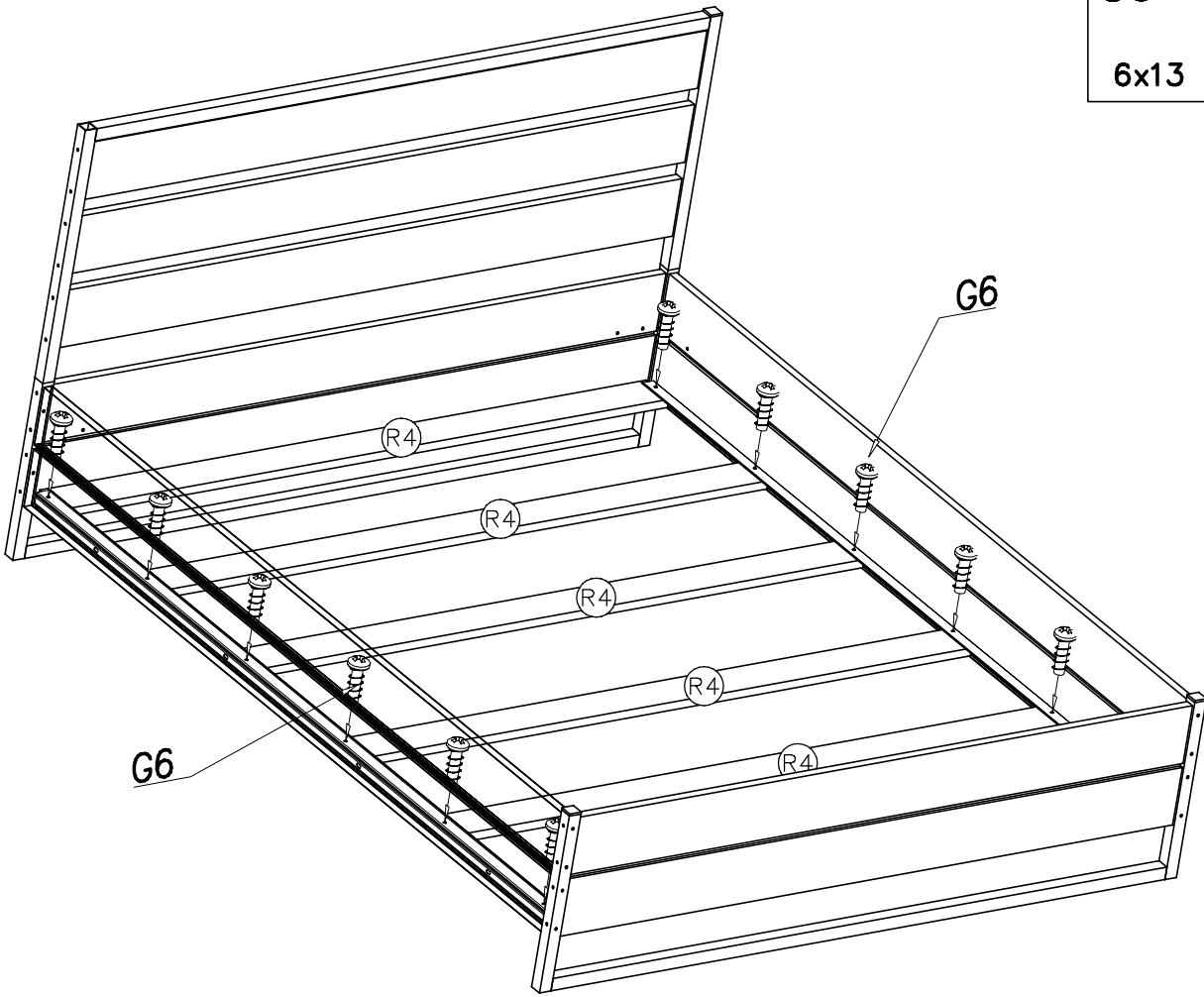
VI

G6

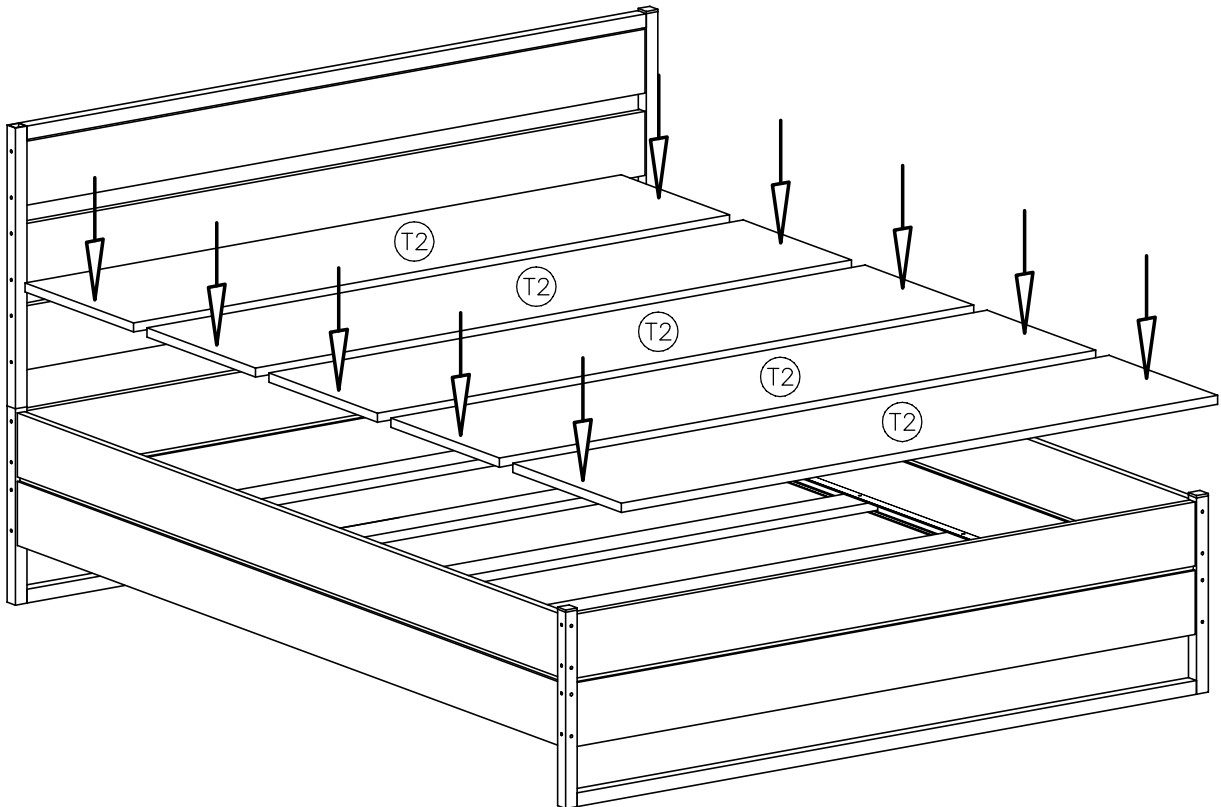


6x13


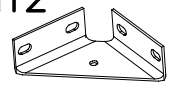

x12



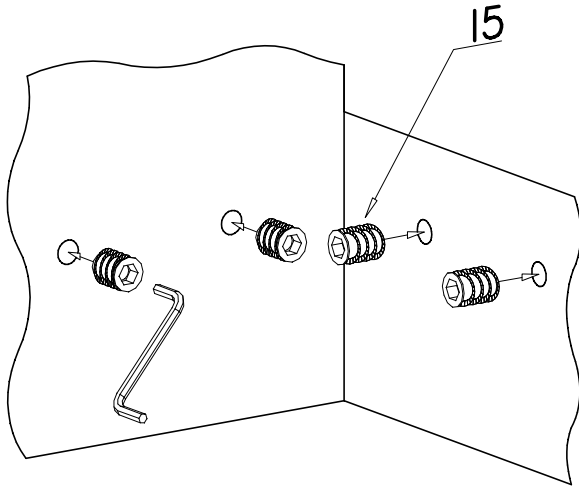
VII



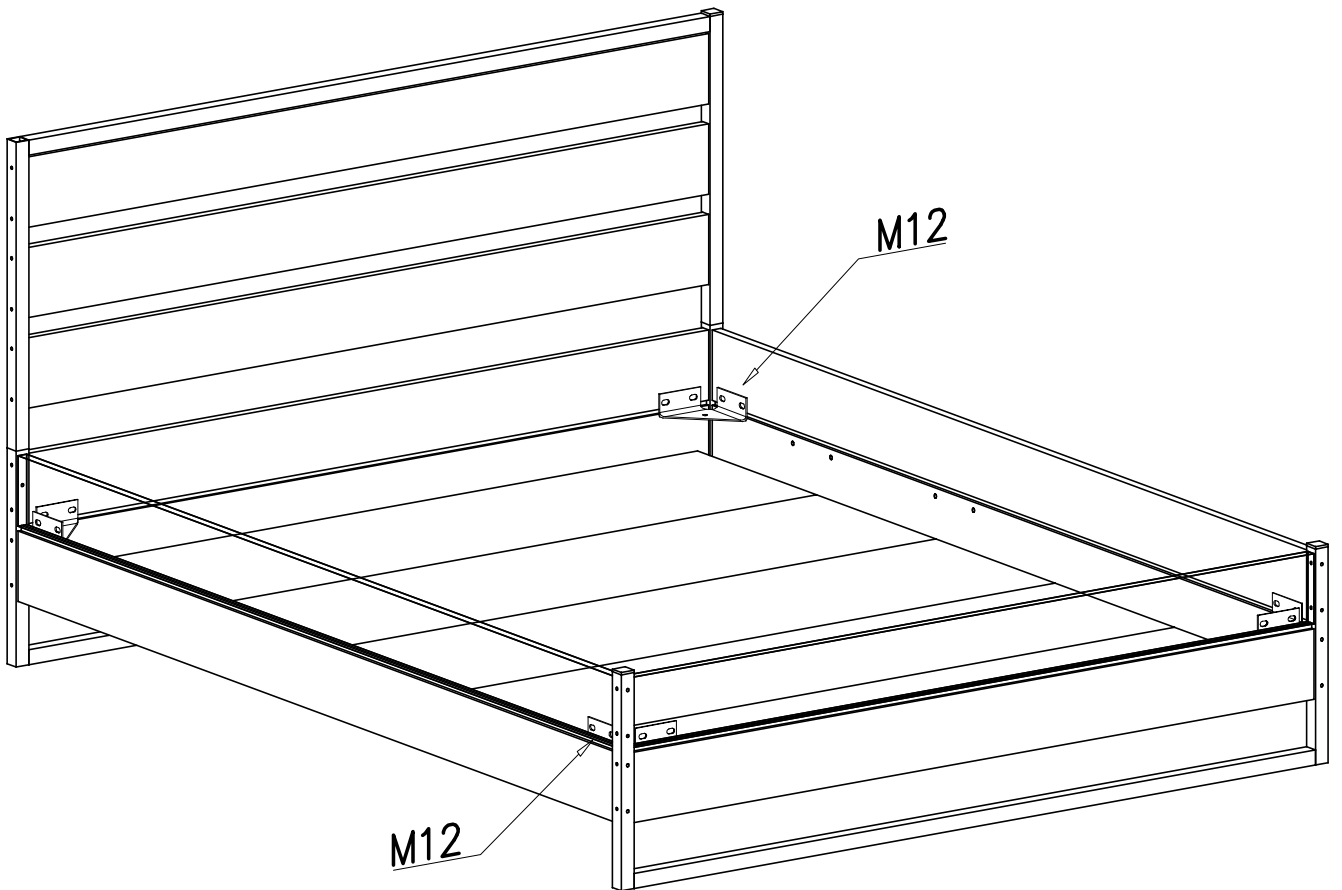
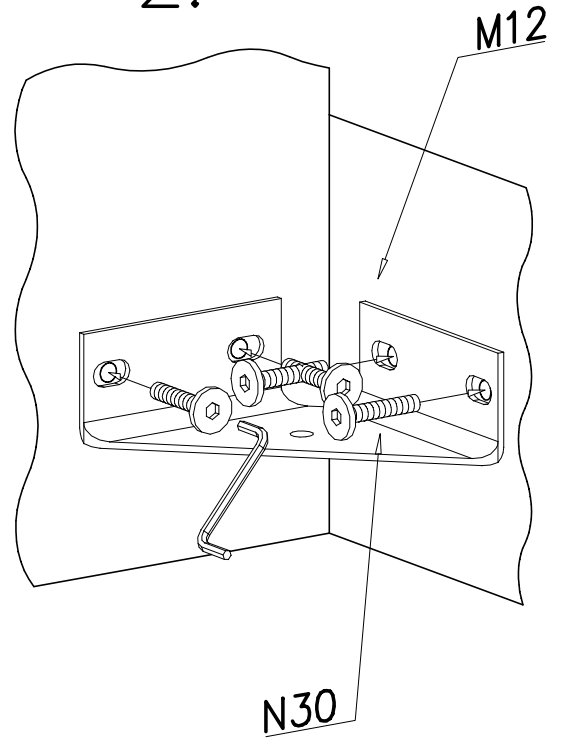
VIII

I5		x16	M12		x4	N30		M6x15	x16
----	---	-----	-----	---	----	-----	---	-------	-----

1.



2.

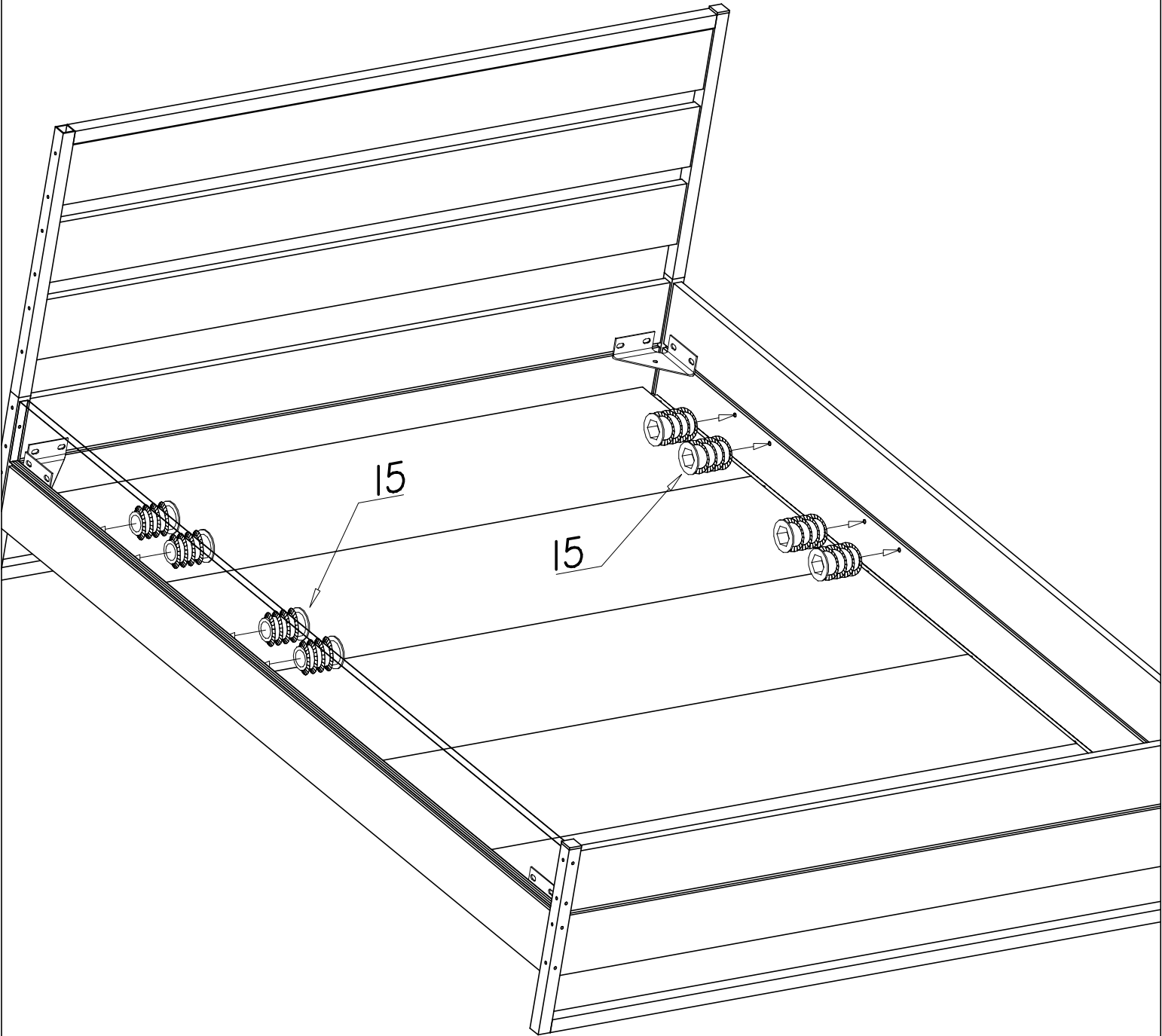


IX

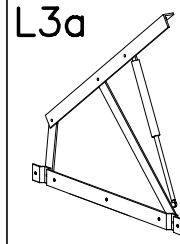
15



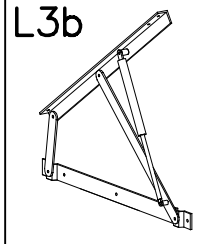
x8



X

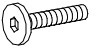


x1



x1

N30



M6x15

x8

